

JT100RAD

Performance Table

Module	Item	JT100RAD									
		55V			110V			230V			
Injection Unit	Screw cylinder type	K	A	B (OP)	K	A	B (OP)	K	A	B (OP)	
	Screw diameter mm	25	28	32	32	35	40	40	45	50	
	Screw stroke mm	90			110			145			
	Theoretical injection capacity cm ³	44	55	72	88	106	138	182	231	285	
	Injection capacity (GP-PS) g	42	52	69	84	101	131	173	219	271	
	Standard	Injection pressure (Max.) MPa (kgf/cm ²)	226 {2300}	180 {1840}	138 {1410}	215 {2190}	180 {1840}	138 {1410}	228 {2320}	180 {1840}	146 {1490}
		Holding pressure (Max.) MPa (kgf/cm ²)	203 {2070}	162 {1650}	124 {1260}	194 {1980}	162 {1650}	124 {1260}	205 {2090}	162 {1650}	131 {1340}
		Injection speed mm/s	270			160			160		
		Injection rate cm ³ /s	133	166	217	129	154	201	201	254	314
		Plasticizing rate (GP-PS) kg/h	20	25	30	30	40	50	60	76	88
		Screw speed min ⁻¹	350			300			250		
	Low-inertia (HR) OP	Injection pressure (Max.) MPa (kgf/cm ²)	251 {2560}	200 {2040}	153 {1560}	239 {2440}	200 {2040}	153 {1560}	—	—	—
		Holding pressure (Max.) MPa (kgf/cm ²)	226 {2300}	180 {1840}	138 {1410}	215 {2190}	180 {1840}	138 {1410}	—	—	—
		Injection speed mm/s	350			200			—		
		Injection rate cm ³ /s	172	216	281	161	192	251	—	—	—
		Plasticizing rate (GP-PS) kg/h	20	25	30	30	40	50	—	—	—
		Screw speed min ⁻¹	350			300			—		
	High-speed (HS) OP	Injection pressure (Max.) MPa (kgf/cm ²)	251 {2560}	200 {2040}	153 {1560}	239 {2440}	200 {2040}	153 {1560}	—	—	—
		Holding pressure (Max.) MPa (kgf/cm ²)	226 {2300}	180 {1840}	138 {1410}	215 {2190}	180 {1840}	138 {1410}	—	—	—
		Injection speed mm/s	500			350			—		
		Injection rate cm ³ /s	245	308	402	281	337	440	—	—	—
		Plasticizing rate (GP-PS) kg/h	20	25	30	30	40	50	—	—	—
		Screw speed min ⁻¹	350			300			—		
	Nozzle touch force kN {tf}	15 {1.5}			15 {1.5}			15 {1.5}			
	Nozzle stroke from platen mm	20									
	Type of nozzle	Open nozzle									
	Cylinder temperature control	Cylinder: 3 / Nozzle: 2									
Heater wattage kW	5.5			7.7			12.5				
Clamping Unit	Mechanism	Double toggle									
	Clamping force kN {tf}	981 {100}									
	Daylight opening (Max.) mm	600									
	Opening stroke (Max.) mm	250									
	Mold height mm	250~350									
	Mold size (Max.) mm	455×455									
	Lower mold weight (Max.) kg	400×2									
	Table outside diameter mm	1310									
	Ejector point	1 point									
	Ejector force kN {tf}	26 {2.7}									
Ejector stroke mm	60										
Miscellaneous	Machine weight t	5.1 (5.3)*			5.3 (5.6)*			6.0			
	Machine dimensions (LxWxH) m	2.64×1.52×3.23			2.64×1.52×3.48			2.64×1.52×3.79			
	Machine dimensions (HS) (LxWxH) m	2.64×1.52×3.65			2.64×1.52×4.06			—			
	Table height mm	1077									

Remarks:

1. Maximum injection pressure and maximum holding pressure may be restricted due to molding condition.
2. The theoretical injection capacity is (cross sectional area of cylinder) x (stroke of screw).
3. The injection capacity is applicable for GP-PS and variable according to the grade of resin, molding conditions and mold.
4. The plasticizing rate is applicable for GP-PS.
5. PC, HPVC, other engineering plastic, etc., low temperature setting and high speed molding may require a high torque depending on the grade or molding conditions. Please contact us if you plan.

Note:

1. Due to continual improvements, specifications are subject to change without notice.
2. Actual figures of the specification will vary depending on final machine configuration. Please contact us if you require more specific data.
3. Performance specifications are based on theoretical data.
4. Low inertia injection specifications and high-speed injection specifications can be handled as option.
5. Values in parentheses (*) in the table are for high-speed injection specifications.
6. Screw cylinder size B is optional.
7. 1 MPa = 10.2 kgf/cm², 1 kN = 0.102 tf

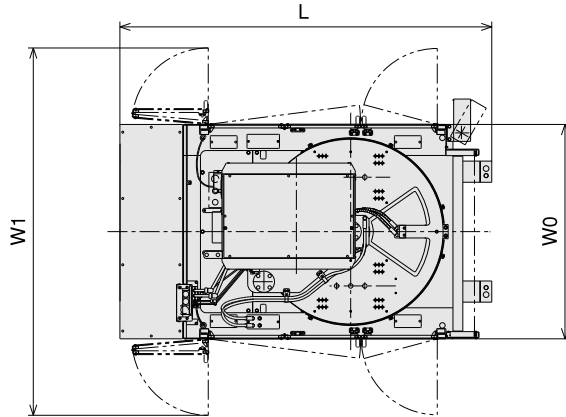


JSW Hiroshima Plant



JSW Injection Molding Machinery Division

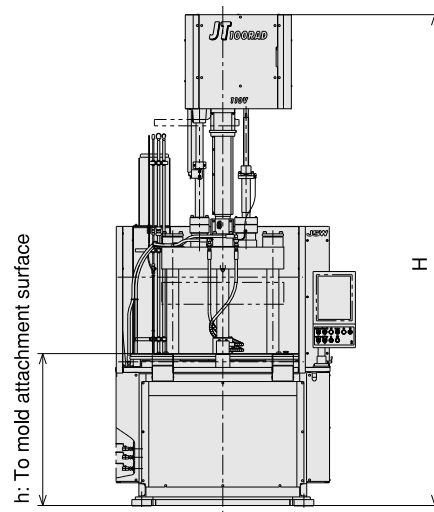
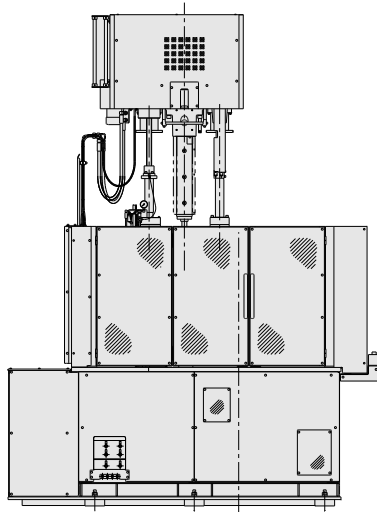
Dimensions of Machine



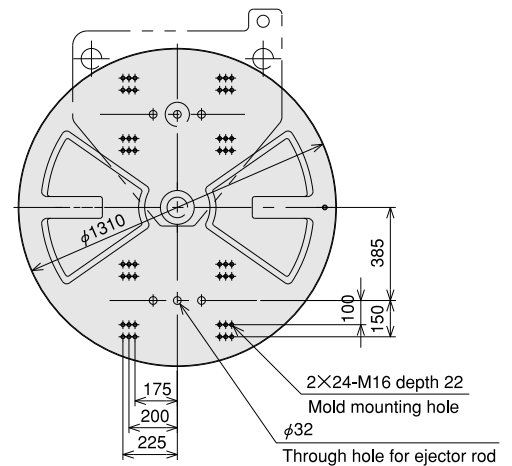
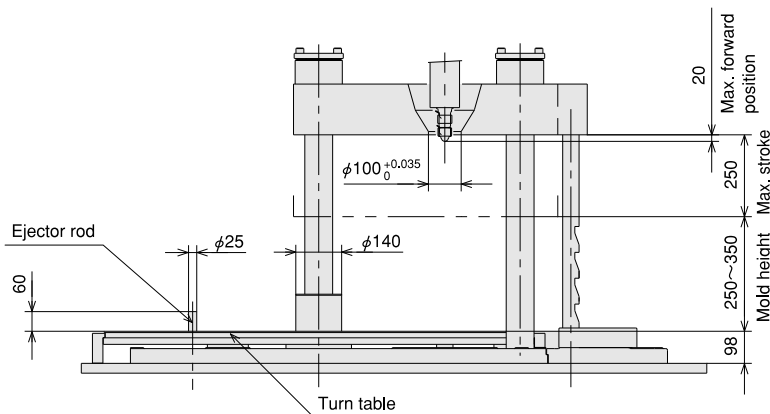
Dimensions of Machine

(Unit: mm)

Model	L	W0	W1	H		h	
				MIN.	MAX.		
JT100RAD	55V	2636	1520	2604	2603	3223	1077
	55V-HR				2603	3223	
	55V-HS				3029	3649	
	110V				2860	3480	
	110V-HR				2860	3480	
	110V-HS				3437	4057	
	230V				3165	3785	



Mold Related Dimensions



Total Power Capacity

Machine Model	Injection unit	Total Power Capacity (kVA)		
		Standard Injection	Low-inertia Injection	High Speed Injection
JT100RAD	55V	24.75	24.75	25.71
	110V	27.35	27.35	29.99
	230V	35.01	—	—

Note 1: The above incoming line size and main breaker capacity are values obtained by adding the capacity of molding machine unit to the capacity of mold thermal control/hydraulic unit, which is optional.

Note 2: We recommend that the rated interrupting current of the main power supply breaker is more than 25 kA at AC400V/460V.

Capacity of Cooling Water (outline)

Model	Injection unit	Cooling Water Capacity for Barrel Temperature Control (m ³ /h)
		JT100RAD
	110V	
	230V	

Note: The above figures do not include the required quantity of water for the mold temperature controller.

Capacity of Air

Compressed air pressure	MPa	0.5
Compressed air necessity volume	NI/min	2